

Fire Prevention Policy Manual Table of Contents

Page 1: Abandoned Building Permits- Refund of Mitigation Fees

Page 2-3: Burn Permit Requirements Property Owner

Page 4: Carbon Monoxide Alarms

Page 5: Change of Use or Occupancy

Page 6: Conveyer Belt Pizza Oven

Page 7: Cul-de-sac Requirements

Page 8: Dead End Cul-de-sac

Page 9-10: Disrupted Service to Fire Protection Systems

Page 11: Fire Department Connection (FDC) Policy Knox

Page 12-13: Fire Apparatus Access- Single Family Dwelling (SFD)

Page 14-15: Firewatch Log

Page 16: Gated Driveway Entrance Type 1

Page 17: Outside Stem and Yolk (OSY) Standard

Page 18: Photographs by District Personnel

Page 19: Post Indicating Valve (PIV) Standard

Page 20: Proof of Contracted Certification

Page 21: Protection Bollards and Distances

Page 22: Recreational Fires

Page 23: Residential Barbeques

Page 24-26: Residential Sprinkler Requirements

Page 27: Security Gates

Page 28: Signs and Placards

Page 29: Smoking Bars

Page 30: Snap Caps and Party Poppers

Page 31: Street Sign Standards

Page 32-33: Tenant Improvements (TI) to Fire Sprinkler System

Page 34: Title 19 Five Year

Page 35: Traffic Calming Devices

Page 36-37: Water Storage Tank Information

Page 38: Wireless Mesh Network



ALPINE FIRE PROTECTION DISTRICT

FIRE PREVENTION POLICY MANUAL

REVISED

01/14

[Signature]

FIRE CHIEF APPROVAL

3-31-2014

EFFECTIVE DATE

STANDARD

SOG

ABANDONED BUILDING PERMITS

REFUND OF MITIGATION FEES

When any building permit is abandoned and fire mitigation fees have been paid to the County of San Diego, a refund of said fees will not be made unless a written request is submitted to the Alpine Fire Protection District within one (1) calendar year of the payment date.

ABANDONED BUILDING PERMITS - REFUND OF MITIGATION FEES



ALPINE FIRE PROTECTION DISTRICT

FIRE PREVENTION POLICY MANUAL

REVISED

01/14

[Signature]

FIRE CHIEF APPROVAL

3-31-2014

EFFECTIVE DATE

STANDARD

307.2

BURN PERMIT REQUIREMENTS

PROPERTY OWNER

PURPOSE:

To ensure that the legal property owner is aware of a controlled burn on their property.

This requirement also establishes the Fire District to obtain reimbursement from responsible individuals for the expenses of any emergency response and/or enforcement action by the Alpine Fire Protection District to protect the public from any fire that is out of control during an open burn.

QUALIFICATIONS:

1. To qualify for a burn permit, you must be the legal owner of the property on which burning takes place.
2. If you are not the legal owner of the property, but are going to burn for the owner, you must bring with you a signed letter from the legal owner incorporating instructions below:

INSTRUCTIONS FOR LEGAL OWNER:

- A. Date of letter
- B. Legal owner's name & address
- C. Address where burning will occur
- D. Two contact phone numbers where you, the owner, can be reached during the burn hours
- E. A paragraph stating that the person who you name has your permission to burn on your property, and that you accept full responsibility for the burn if they should lose control of the fire
- F. Signature of legal owner

Note: In the case of someone working for you on your property through-out the year, you will need to write a letter naming each person for the burn period specified.

The person who you name in the letter should bring proper identification with them if they are signing the burn permit for you.

BURN PERMIT REQUIREMENTS - PROPERTY OWNER



ALPINE FIRE PROTECTION DISTRICT

FIRE PREVENTION POLICY MANUAL

REVISED

01/14

[Signature]

FIRE CHIEF APPROVAL

3-31-2014

EFFECTIVE DATE

STANDARD

307.2

Please review the rules and regulations of the burn permit with the person/s you employ. Many times we are called to a burn because the person does not follow the instructions of the Fire District.

The permit can be revoked if the Fire Chief or his/her authorized representative determines that a hazardous condition exists.

CONDITIONS AND REQUIREMENTS

1. **Burning Date & Time:** Burning is to be done only on those dates and during those hours specified on this permit.
2. **Notification:** You are required as a condition of this permit to contact the fire agency which issued this permit PRIOR to actual ignition and upon completion of the burning.
3. **Temporary Suspension:** You may be advised when you contact the fire agency that ALL permits have been temporarily suspended; any burning during such times will be in direct violation of the law.
4. **Conditions to Reduce Smoke:** Material to be burned should be (a) reasonably free of dirt, soil, and visible surface moisture (b) arranged to burn with minimum smoke (c) allowed to dry, as follows - 60 days for trees, larger branches, and vegetation from forest and brush land management, 30 days for prunings and small branches, 15 days for field crop and other agricultural wastes, and 10 days for all other material.
5. **Condition to Minimize Hazard:** Fires should not be set on days of unsafe weather conditions; this includes excessively hot, dry periods when winds are strong enough to keep leaves and small twigs in constant motion or to extend a light flag or cloth. Burning material shall be located in an area cleared of flammable vegetation and be (a) attended by at least one able-bodied adult person at all times; (b) confined within cleared firebreaks or barriers adequate to prevent it from escaping control; and (c) regulated in size at all times to ensure proper control by the number of adult persons attending it.
6. **Nuisance Penalty:** If the burn creates a nuisance, a nuisance violation may be issued by the Air Pollution Control District. The penalty will include the cost of putting out the fire to reimburse the fire agency.

Note:

The conditions and requirements outlined above are for your guidance. It is your responsibility to be familiar with the exact conditions and requirements that apply to the permit.

BURN PERMIT REQUIREMENTS PROPERTY OWNER



ALPINE FIRE PROTECTION DISTRICT

FIRE PREVENTION POLICY MANUAL

REVISED

01/14

[Signature]
FIRE CHIEF APPROVAL

3-31-2014

EFFECTIVE DATE

STANDARD

R315

CARBON MONOXIDE ALARMS

Existing Dwelling Units:

Carbon monoxide alarms on or after January 1, 2013 shall be installed in all existing dwelling units intended for human occupancy as defined in Health and Safety Code Section 13262(b) that have a fossil fuel-burning heater or appliance, fireplace or an attached garage. Carbon monoxide alarms in existing buildings are permitted to be solely battery operated or plug-in type with battery back-up in areas where no construction is taking place.

New Construction:

Carbon monoxide alarms in new construction shall be installed in dwelling units and in sleeping units within which fuel-burning appliances are installed and in dwelling units that have attached garages. The alarms shall receive their primary power from the building wiring where such wiring is served from a commercial source and shall be equipped with a battery back-up. Alarm wiring shall be directly connected to the permanent building wiring without a disconnecting switch other than as required for over current protection.

Where more than one carbon monoxide alarm is required to be installed within the dwelling unit or within a sleeping unit, the alarm shall be interconnected in a manner that activation of one alarm shall activate all of the alarms in the individual unit.

In May 2010, the State of California enacted a law requiring home owners to install carbon monoxide detectors in their homes. According to the California Air Resources Board, 30 to 40 people die each year from carbon monoxide poisoning. The senate bill, also known as the Carbon Monoxide Poisoning Prevention Act, states that those deaths were avoidable. According to the bill, the California law will help prevent further deaths and increase awareness.

Timeline:

Although the bill was signed into law in 2010, California residents must have carbon monoxide alarms in their homes as of July 1, 2011. This timeline applies only to single-family homes that have appliances that burn fossil fuels or homes that have attached garages or fireplaces.

The California Apartment Association has put together the following alert to help managers of residential properties deal with SB 183 signed by the Governor:

For all other types of housing, such as apartments and hotels, detectors should be in place as of January 1, 2013. Types of Fossil Fuels include wood, gas and oil. The carbon monoxide alarm must be operable at the time the tenant takes possession. A tenant is responsible for notifying the owner or owner's agent if the tenant becomes aware of an inoperable or deficient carbon monoxide detector within his or her unit. The owner or owner's agent must correct any reported deficiencies in the carbon monoxide detector and will not be in violation of this section for a deficient or inoperable carbon monoxide alarm when he or she has not received notice of the deficiency or inoperability.

CARBON MONOXIDE ALARMS



ALPINE FIRE PROTECTION DISTRICT

FIRE PREVENTION POLICY MANUAL

REVISED

01/14



FIRE CHIEF APPROVAL

3-31-2014

EFFECTIVE DATE

STANDARD

102

CHANGE OF USE OR OCCUPANCY

CFC Section 102

1. PURPOSE

This policy will assure that new occupants of existing buildings for business purposes will upgrade building and fire related fixtures to comply with the latest codes and ordinances for the safety of the public.

2. APPLICABILITY

Section 102.1 Construction and design provisions: The construction and design provisions of this code shall apply to:

1. Structures, facilities and conditions arising after the adoption of this code.
2. Existing structures, facilities and conditions not legally in existence at the time of adoption of this code.
3. Existing structures, facilities and conditions when identified in specific section of this code.
4. Existing structures, facilities and conditions which, in the opinion of the fire code official, constitute a distinct hazard to life or property.

3. SCOPE

No change shall be made in the use or occupancy of any structure that would place the structure in a different division of the same group or occupancy or in a different group of occupancies, unless such structure is made to comply with the requirements of this code and the California Building Code. Subject to the approval of the fire code official, the use or occupancy of an existing structure shall be allowed to be changed and the structure is allowed to be occupied for purposes in other groups without conforming to all the requirements of this code and the California Building Code for those groups, provided the new or proposed use is *less hazardous*, based on life and fire risk, than the existing use.

CHANGE OF OWNERSHIP OF EXISTING BUILDING

At any ownership change to an existing business, the new owner will be required to upgrade any hazardous conditions, upgrade appliances to current code requirements, or update any building or life safety requirement associated with the current code.

CHANGE OF USE OR OCCUPANCY



ALPINE FIRE PROTECTION DISTRICT

FIRE PREVENTION POLICY MANUAL

REVISED

01/14

FIRE CHIEF APPROVAL

3-31-2014

EFFECTIVE DATE

STANDARD

A 96

CONVEYER BELT PIZZA OVENS

NFPA 96 references EPA 202 as the test method for determining what constitutes a grease-laden vapor. The threshold limit value (TLV) has been set at 5 mg/m³ at 500 cfm rate of exhaust. Fire suppression is required for cooking equipment that produces grease-laden vapors. NFPA 96 provides examples of such appliances: deep fat fryers, ranges, griddles, broilers, woks, tilting skillets, and brazing pans.

Absent from this list is ovens. The Mechanical Code does include ovens in its list of example appliances that could produce grease-laden vapors. However, with an accepted definition of "grease-laden vapor," an oven must produce grease in the amount that exceeds 5 mg/ m³ in order to be considered a grease producing appliance and subject to protection by a fire suppression system. The manufacturer's specifications for a given oven, conveyor style or otherwise, should provide the rate or amount of grease production as determined by the EPA test method.

Never refer to a pizza oven, chain-driven oven, conveyor oven or chain-driven pizza oven as a "pizza broiler."

Ansul, Pyro-Chem and Range Guard all require appliance protection for broilers, and chain broilers but are silent on protection for chain ovens. Typically ovens including chain conveyor ovens do not produce grease in a sufficient quantity to create grease-laden vapors by definition. The difference between a chain conveyor oven and a chain conveyor broiler is similar to the difference between an upright broiler and a cheese melter or plate warmer- they look similar to each other and operate in a similar manner but present vastly different hazards.

Even though the cooking process for pizza creates grease through the heating of cheese and meat toppings, the process generally does not create grease-laden vapors by definition. As such, the installation manuals of the pre-engineered suppression systems do not specifically require appliance protection for chain conveyor ovens.

CONVEYER BELT PIZZA OVENS



ALPINE FIRE PROTECTION DISTRICT

FIRE PREVENTION POLICY MANUAL

REVISED

01/14

[Signature]
FIRE CHIEF APPROVAL

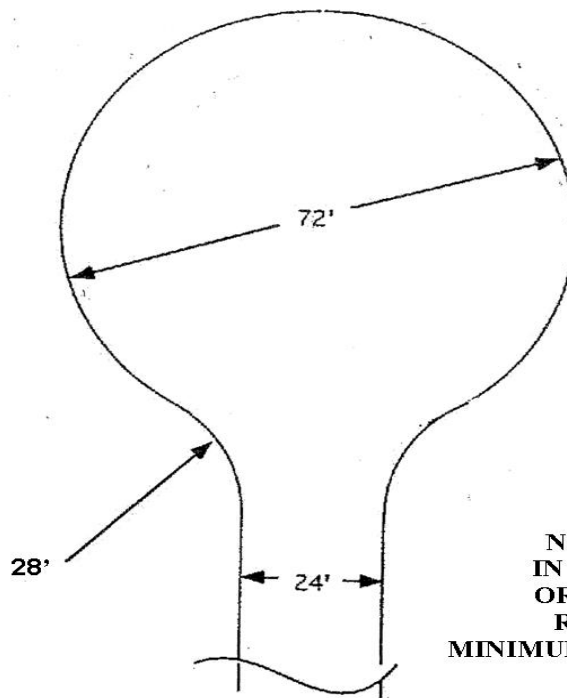
3-31-2014

EFFECTIVE DATE

STANDARD

503.2.4

MINIMUM REQUIREMENTS



COMMERCIAL & RESIDENTIAL
Serving more than 2 structures

- This diagram is the “*minimum*” requirement.
- For parking on 1 side of roadway, Add 8’
- For parking on 2 sides of roadway, Add 16’
- For parking all around cul-de-sac add 8’ all the way around
- Parking shall be parallel only - No head in parking allowed

CUL-DE-SAC REQUIREMENTS



ALPINE FIRE PROTECTION DISTRICT

FIRE PREVENTION POLICY MANUAL

REVISED

01/14

STANDARD

[Signature]

FIRE CHIEF APPROVAL

3-31-2014

EFFECTIVE DATE

503.2.5

DEAD END CUL-DE-SAC

Section 503.2.5 Dead Ends: All dead-end fire access roads in excess of 150 feet in length shall be provided with approved provisions for the turning around of emergency apparatus. a cul-de-sac shall be provided in residential areas where the access roadway serves more than 2 structures. The minimum unobstructed paved radius width for a cul-de-sac in a residential area shall be 36 feet paved, 40 feet graded, or as approved by the fire code official. The fire code official shall establish a policy identifying acceptable turnarounds for various project types.

If parking is to be permitted around cul-de-sac, eight (8) additional feet will need to be added to accommodate parking up to 12" from curb line. A turn-around area would measure approximately 90 feet across. Parking shall be parallel to curb only. No head in parking shall be permitted.

Section 503.2.4 Turning Radius: The turning radius of a fire apparatus access road shall be a minimum of 28 feet as measured to the inside edge of the improvement width or as approved by the Chief.

DEAD END CUL-DE-SAC



ALPINE FIRE PROTECTION DISTRICT

FIRE PREVENTION POLICY MANUAL

REVISED

01/14

[Signature]

FIRE CHIEF APPROVAL

3-31-2014

EFFECTIVE DATE

STANDARD

901.7

I. PURPOSE

The purpose of this policy is to explain requirements to provide the early notification of a fire when an automatic fire protection or detection system is not in service.

II. SCOPE

The scope of this policy shall include requirements in buildings where an automatic fire protection or detection system is installed but is not in service.

III. DEFINITIONS AND TERMS

- A. Buildings: All buildings, whether new or existing, where automatic fire protection and detection systems are installed, including buildings undergoing alteration, repair and demolition.
- B. Fire Watch: A person trained as a site guard who is capable of notifying Fire and Life Safety Services and occupants of a fire. Fire watch may be Department personnel.

IV. PROCEDURES

- A. The owner or his/her authorized representative shall notify Alpine Fire Protection District during regular business hours 8:00 am – 12:00 pm and 1:00 pm – 5:00 pm Monday thru Friday any time an automatic fire protection or detection system is not in operation. He/she shall also notify Heartland Fire Communication Facility after 5:00 pm. at 619 441-1621.
- B. Where a system is out of service, the building shall either be evacuated or an approved fire watch shall be provided for all occupants left unprotected by the shut down until the fire protection system has been returned to service. Where utilized, fire watches shall be provided with at least one approved means for notification of the fire department and their only duty shall be to perform constant patrols of the protected premises and keep watch for fires.
- C. Any Repair or corrective action shall be initiated immediately. After repair or corrective action is completed and the system is back in service, Heartland Fire Communication Facility and/or Alpine Fire Protection District shall be notified.

DISRUPTED SERVICE TO AUTOMATIC FIRE PROTECTION, DETECTION AND ALARM SYSTEMS



ALPINE FIRE PROTECTION DISTRICT

FIRE PREVENTION POLICY MANUAL

REVISED

01/14



FIRE CHIEF APPROVAL

3-31-2014

EFFECTIVE DATE

STANDARD

901.7

D. A fire watch shall be provided when the system cannot be repaired in a timely manner (more than 24 hours) and/or the lack of protection creates a building or life safety hazard as determined by the Fire Marshal or his/her authorized representative.

Exception: When a building is equipped with an automatic fire sprinkler system and an emergency back-up power supply (i.e. emergency generator) a fire watch will not be required.

E. A fire watch shall be established immediately when fire protection, detection, and alarm systems are not in operation in high, life-risk occupancies such as hospitals, care facilities, schools, high-rise buildings and R-1 residential occupancies.

F. The minimum level of fire guard service shall be one guard per floor in multistory buildings and one guard for each fire protection system zone in single story buildings. Additional guards assigned as fire watch may depend on the hazard and building design. The fire watch service will continue until the automatic fire protection or detection system is placed back in service.

V. **FALSE ALARMS:** Three or more false alarms within a 12 month period will be charged per hour for the fire engine response. A minimum of one (1) hour will be charged according to the current wages and salaries for the engine company.

DISRUPTED SERVICE TO AUTOMATIC FIRE PROTECTION, DETECTION AND ALARM SYSTEMS



ALPINE FIRE PROTECTION DISTRICT

FIRE PREVENTION POLICY MANUAL

REVISED

09/2013

STANDARD

[Signature]
FIRE CHIEF APPROVAL

3-31-2014

EFFECTIVE DATE

13-8.17

By order of the Fire Chief all Fire Department Connections shall have the Knox caps installed with-in the next Title 19 five year.

1. Acquire approved Knox application form from Alpine Fire Protection District office and fill in all fields, mail back to Knox Corporation.
2. Once your new Knox FDC caps have been mailed call the Fire Prevention office to schedule the officer to install caps to the swivel connections.
3. All new construction requiring a FDC shall have caps in place prior to final.
4. All existing FDC shall have been witnessed back flushed by the local fire authority prior to the installation of the new FDC caps.
5. Fire Department Connection signs shall have raised or engraved lettering 1" in height attached to the riser as per Alpine Fire Protection Standard FDC Standards.
6. Fire Department Connections shall have 2 coats of oil base Rustoleum Safety Red K7764 painted to protect metal piping exposed as per NFPA 13 Chapter 8.16.4.2.1



KNOX FIRE DEPARTMENT CONNECTION CAPS INSTALLED



ALPINE FIRE PROTECTION DISTRICT

FIRE PREVENTION POLICY MANUAL

REVISED

01/14

[Signature]

 FIRE CHIEF APPROVAL

3-31-2014

 EFFECTIVE DATE

STANDARD

503.2.1.1

I. PURPOSE

This policy is a guideline which clarifies the requirements for paving materials acceptable to the Alpine Fire Protection District Ordinance 2013-01, Section 503.2.3 Surface - Fire Access Road Fire apparatus access road. This requirement is based upon the Fire Chief's approval of surface type.

II. SCOPE

This guideline is applicable to all new driveways which are required by code or local ordinance within Alpine Fire District. It shall also apply to anyone that has obtained a building permit to remodel or make additions to a residence. At times, an increase in driveway width is required.

III. PERMITS

Permits are not required from the Fire District for a driveway.

IV. PLAN REVIEW

Plan review is required from the Fire District for new single family dwellings that include a driveway. Remodels and additions require a plan review and at times the driveway may need to be widened.

Existing driveways that are being replaced do not require a plan review. New driveways are expected to meet the current ordinances of the Fire District for width and surface.

V. SECTION 503.2.1.1 ROAD PHASING POLICY – SINGLE FAMILY DWELLINGS

The fire access roadway requirement for widening existing improved fire apparatus roadway shall be per TABLE 503.2.1.1A – PHASING POLICY- Fire Apparatus Access and will extend from the property out to the nearest public road.

TABLE 503.2.1.1A – PHASING REQUIREMENT

Fire Apparatus Access – Single Family Dwellings

Number of Parcels	Unobstructed Road Width	Road	Roadways Over 600 feet long	Extend to Nearest Public Road
1-2	16- foot paved		Turnouts every 400 feet	Yes
3-8	20-foot paved		Turnouts every 400 feet	Yes
9 or More	24-foot paved		Not required	Yes

FIRE APPARATUS ACCESS – SINGLE FAMILY DWELLINGS



ALPINE FIRE PROTECTION DISTRICT

FIRE PREVENTION POLICY MANUAL

REVISED

01/14

[Signature]

FIRE CHIEF APPROVAL

3-31-2014

EFFECTIVE DATE

STANDARD

503.2.3

SECTION 503.2.3 – SURFACE

Fire apparatus access roads shall be designed and maintained to support the imposed loads of fire apparatus not less than 75,000 lbs. unless authorized by the FAHJ and shall be provided with an approved paved surface so as to provide all-weather driving capabilities.

An approved surface shall be either asphalt or concrete. A residential driveway constructed of 3-1/2" Portland cement concrete may be installed on any slope up to 20% provided that slopes over 15% have a deep broom finish perpendicular to the direction of travel to enhance traction.

Asphalt chips and/or grindings and other recycled matter are not approved surfaces.

For driveways serving individual single-family dwellings, the minimum surface materials require shall vary with the slope of the road.

0-15 % slope Asphaltic Concrete designed to accommodate the imposed load of 75,000 lbs.

15-20 % slope 3-1/2" Portland cement with deep broom finish perpendicular to direction of travel.

Where no standard or design feature is specified, requirements shall be specified by the Fire Chief.

SECTION 503.4.1 – ROADWAY DESIGN FEATURES

Roadway design features (speed bumps, speed humps, speed control dips, etc.) which may interfere with emergency apparatus responses shall not be installed on fire access roadways, unless they meet design criteria approved by the Chief. Currently, Alpine Fire District does not have written criteria for speed bumps due to the tremendous impact on the suspension of the engines and the delayed response times, therefore, speed bumps are not permitted.

Speed bumps are allowed, however in private parking lots due to the substantial foot traffic. County maintained roads that have speed bumps or humps have prior approval from the County of San Diego Road Design Features. Alpine Fire District does not have jurisdiction over County maintained roads.



ALPINE FIRE PROTECTION DISTRICT

REVISED

FIRE PREVENTION POLICY MANUAL

[Signature]

FIRE CHIEF APPROVAL

3-31-2014

EFFECTIVE DATE

STANDARD

901.7

2013 California Fire Code Section 202; Section 901.7

Definition of Fire Watch:

A temporary measure intended to ensure continuous and systematic surveillance of a building or portion thereof by one or more qualified individuals for the purposes of identifying and controlling fire hazards, detecting early signs of unwanted fire, raising an alarm of fire and notifying the fire department. (CFC Section 202)

Responsibility for Instruction:

The owner, manager, or person in charge of the building or premises shall assign to the fire watch as many personnel as required, and shall instruct fire watch personnel as to:

- A. The approved procedure for notifying the fire department. (CFC Section 901.7)
- B. The area to be patrolled.
- C. A method of alerting building occupants on evacuation procedures. Note: When two or more fire watch personnel are required, two-way radios are required to facilitate communication and evacuation.
- D. A procedure shall be provided for reactivating sprinkler valves in the event of a fire which required the sprinkler system to be taken out of service, and any other instruction required.

Log Book

- A. The owner, manager, or person in charge of the premises shall provide a log book consisting of a directory of names, telephone numbers and other information to make emergency calls, calls to key management personnel, and which also shall be used to record patrol rounds.
- B. The log book shall be maintained on the premises and be available for inspection by the authority having jurisdiction.

Specific Duty Requirements

Assigned fire watch personnel shall:

- A. Notify monitoring company when system is taken out of service and when it is placed back in service, if applicable.
- B. Familiarize themselves with the area they are patrolling.
- C. Perform patrol operations according to instructions and local fire department.
- D. Patrol their designated area at least once each hour.
- E. Record patrol rounds and any other significant information in the log book.
- F. Relay any special orders or pertinent information to relief personnel and management.
- G. Remain on duty until properly relieved.
- H. Check the entire building, including all rooms, basements and penthouses, per "C" above.

FIREWATCH INSTRUCTIONS



ALPINE FIRE PROTECTION DISTRICT

FIRE PREVENTION POLICY MANUAL

[Signature]

 FIRE CHIEF APPROVAL

3-31-2014

 EFFECTIVE DATE

REVISED

2014

STANDARD

CFC 901.7

FIRE WATCH SCHEDULE

Date: _____	Reason: _____	
Time:	Fire Watch Designee	Administration/House Supervisor
12:00 AM		
1:00 AM		
2:00 AM		
3:00 AM		
4:00 AM		
5:00 AM		
6:00 AM		
7:00 AM		
8:00 AM		
9:00 AM		
10:00 AM		
11:00 AM		
12:00 PM		
1:00 PM		
2:00 PM		
3:00 PM		
4:00 PM		
5:00 PM		
6:00 PM		
7:00 PM		
8:00 PM		
9:00 PM		
10:00 PM		
11:00 PM		
Comments: _____		

FIREWATCH LOG



ALPINE FIRE PROTECTION DISTRICT

FIRE PREVENTION POLICY MANUAL

REVISED

11-2014

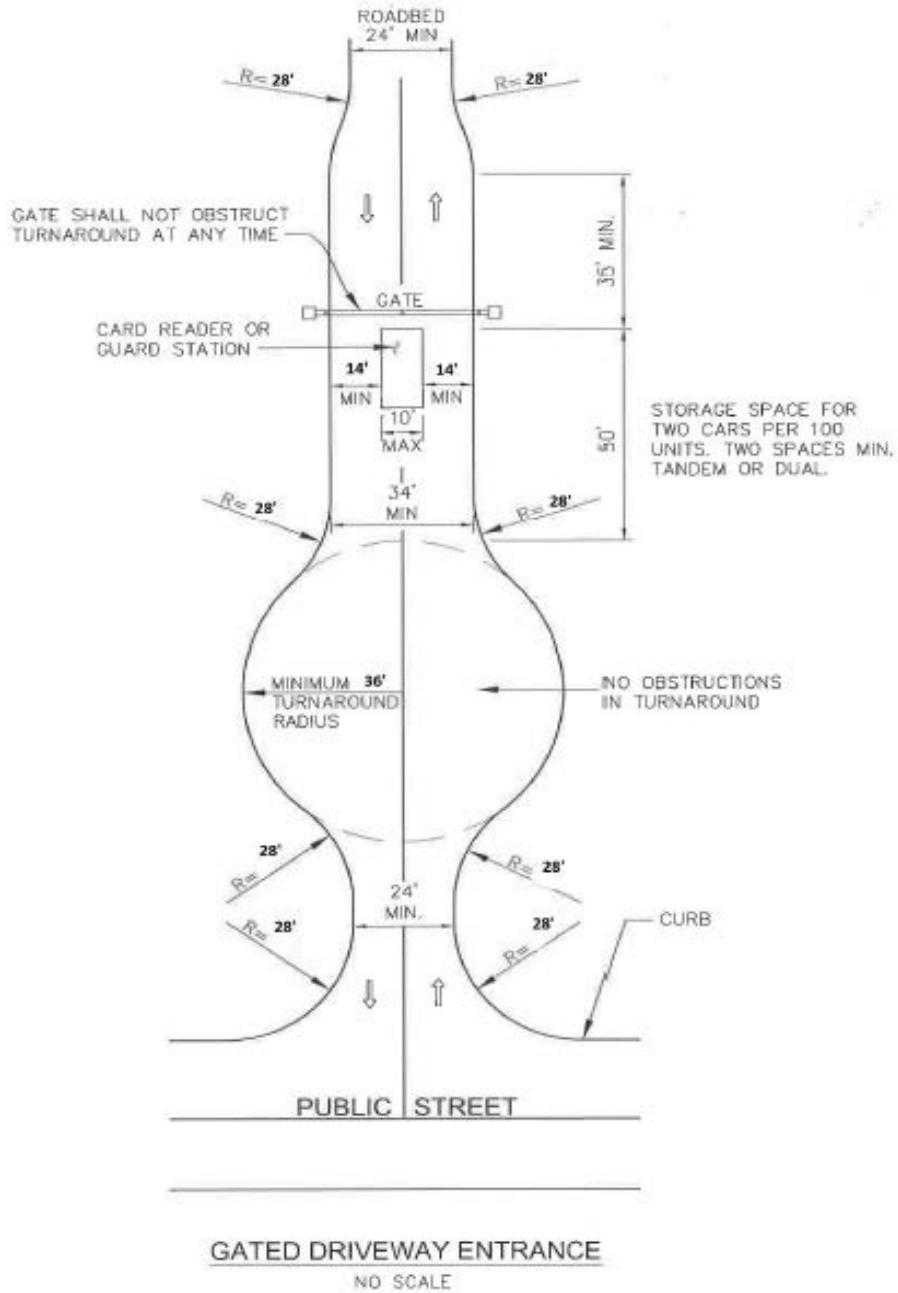
STANDARD

[Signature]
FIRE CHIEF APPROVAL

1-1-2015

EFFECTIVE DATE

DS-17



GATED DRIVEWAY ENTRANCE DESIGN STANDARD 1



ALPINE FIRE PROTECTION DISTRICT

FIRE PREVENTION POLICY MANUAL

REVISED

09-2013

STANDARD

[Signature]
FIRE CHIEF APPROVAL

3-31-2014
EFFECTIVE DATE

OS&Y

1. REFER TO PADRE WATER STANDARDS DRAWING FOR ACTUAL INSTALLATION REQUIREMENTS NOT SHOWN IN THIS DETAIL FOR THE UNDERGROUND SERVICE BEING PROVIDED.
2. LOCATION, TYPE AND INSTALLATION OF DOUBLE DETECTOR CHECK ASSEMBLY SHALL BE APPROVED BY THE ALPINE FIRE PROTECTION DISTRICT.
3. ALL UNDERGROUND FITTINGS AND PIPE SHALL BE INSTALLED IN ACCORDANCE TO THE NFPA 24 STANDARDS.
4. ALL AUTOMATIC FIRE SPRINKLER SYSTEM CONTROL VALVES SHALL BE LISTED AND APPROVED FOR USE INTENDED.
5. ALL EXTERIOR PIPING AND VALVES SHALL BE PAINTED WITH 2 COATS OF RUSTOLEUM OIL BASE SAFETY RED K7764 AS PER THE NFPA 13 CHAPTER 8.16.4.2
6. ALL CONTROL VALVES SHALL BE INSTALLED WITH AN APPROVED LOCK WITH MEANS OF BREAKAWAY.
7. ALL CONTROL VALVES SHALL BE INSTALLED WITH APPROVED SIGNS AS PER ALPINE FIRE PROTECTION SIGN STANDARD.
8. ALL CONDUIT AND FITTINGS INSTALLED TO THE TAMPER EQUIPMENT SHALL BE STRAPPED OR RESTRAINED NOT BE A TRIPPING HAZARD AND SECURED IN ACCORDANCE TO NATIONAL ELECTRICAL CODE.
9. MINIMUM OF 36" CLEARANCE IS REQUIRED AROUND ALL SIDES OF CONTROL VALVES AT ALL TIMES.



OSY WITH FDC INSTALLATION REQUIREMENTS



ALPINE FIRE PROTECTION DISTRICT

FIRE PREVENTION POLICY MANUAL

REVISED

01/14

[Signature]

FIRE CHIEF APPROVAL

3-31-2014

EFFECTIVE DATE

STANDARD

SOG

PHOTOGRAPHS BY DISTRICT PERSONNEL FIELD INSPECTIONS & OBSERVATIONS

It is policy for any employee of the Alpine Fire District to take photographs while out in the field for reference of a violation or unsafe condition in question. This could include, but not limited to photographs of electrical appliances, fire safety systems, weeds and brush, sprinkler components, and wiring,

Many times fire personnel may see something that may require further observation by other Fire Code Officials of the District. These photographs also aid in review of annual inspections to determine changes that occur in the course of a year.

PHOTOGRAPHS BY DISTRICT PERSONNEL FIELD INSPECTIONS & OBSERVATIONS



ALPINE FIRE PROTECTION DISTRICT

FIRE PREVENTION POLICY MANUAL

REVISED

2/25/14

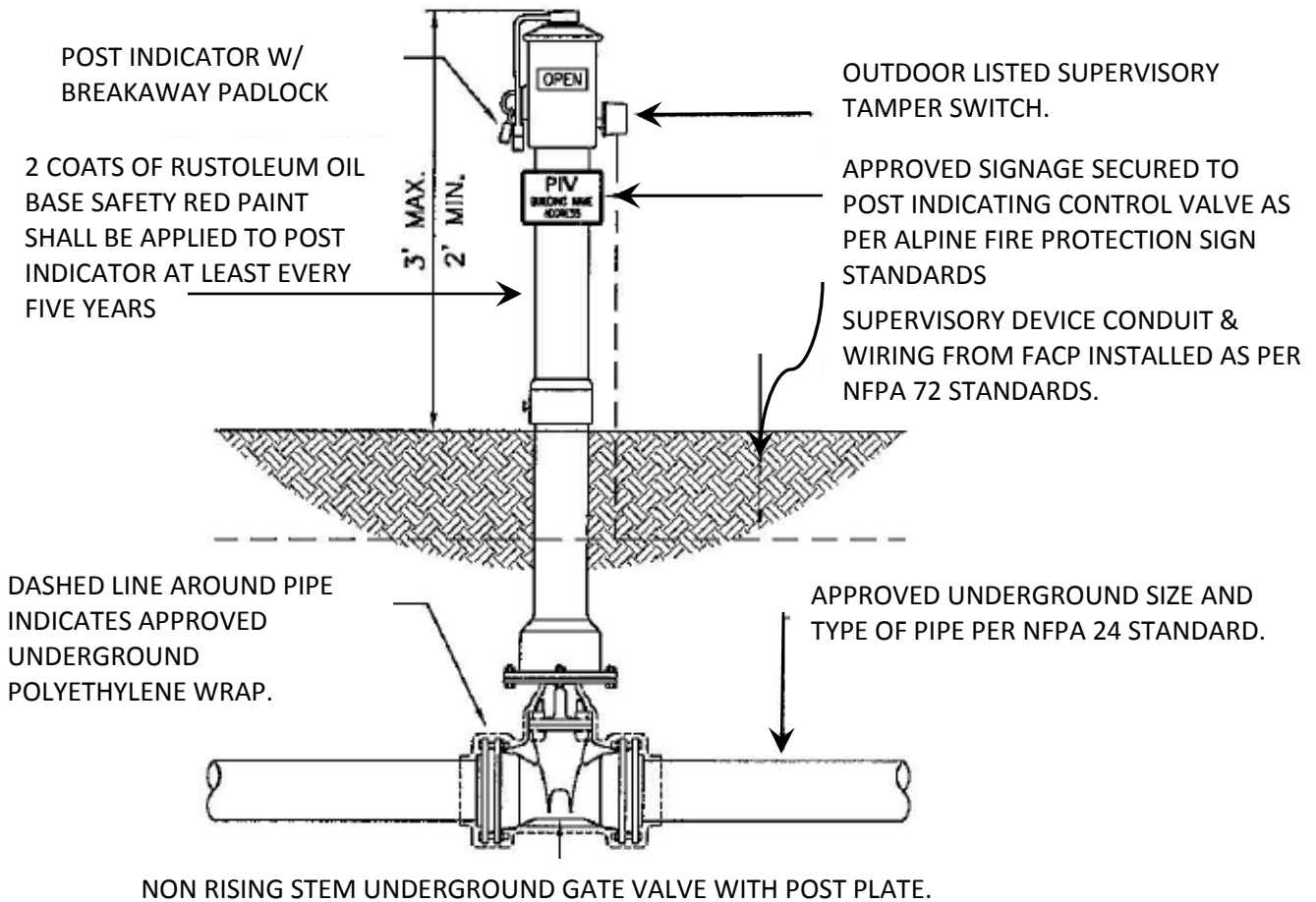
[Signature]
FIRE CHIEF APPROVAL

3-31-2014
EFFECTIVE DATE

STANDARD

PIV

1. POST INDICATOR CONTROL VALVE WINDOWS SHALL BE VISIBLE FROM 10' AWAY AT ALL TIMES. IF WINDOWS BECOME DEFACED OR CRACKED REPLACE ON ANNUAL SPRINKLER INSPECTION OR TITLE 19 FIVE YEAR SERVICE.
2. 36" OF UNOBSTRUCTED CLEARANCE SHALL BE TO ALL SIDES OF THE POST INDICATOR CONTROL VALVE AT ALL TIMES, UNLESS APPROVED BY THE FAHJ IN ADVANCE.



POST INDICATOR CONTROL VALVE



ALPINE FIRE PROTECTION DISTRICT

FIRE PREVENTION POLICY MANUAL

REVISED

01/14

STANDARD



FIRE CHIEF APPROVAL

3-31-2014

EFFECTIVE DATE

72

PROOF OF CONTRACTOR CERTIFICATION

In order to keep accurate records of the companies installing, testing and maintaining fire alarm systems in our District, we require all contractors to provide the qualifications of your service personnel and/or installers. We will keep these records for a period of 3 years, at which time we will ask for new qualifications.

Qualifications:

According to NFPA 72 Section 10.5.2 - System Installer - Fire alarm system and emergency communications systems installation personnel shall be qualified or shall be supervised by persons who are qualified in the installation, inspection and testing of the systems.

10.5.2.2. State or local licensure regulations shall be followed to determine qualified personnel. Depending on state or local licensure regulations, qualified personnel shall include, but not be limited to, one or more of the following:

1. Personnel who are registered, licensed, or certified by a state or local authority
2. Personnel who are certified by a nationally recognized certification organization acceptable to the authority having jurisdiction
3. Personnel who are factory trained and certified for fire alarm system installation and emergency communications system installation of the specific type and brand of system and who are acceptable to the authority having jurisdiction

According to NFPA 72 Section 10.5.3 - Service personnel shall be qualified and experienced in the inspection, testing and maintenance of systems addressed with the scope of this Code. Qualified personnel shall include, but not limited to, one or more of the following:

1. Personnel who are factory trained and certified for the specific type of brand of system being serviced
2. Personnel who are certified by a nationally recognized certification organization acceptable to the authority having jurisdiction
3. Personnel who are registered, licensed or certified by a state or local authority to perform service on systems addressed within the scope of this Code
4. Personnel who are employed and qualified by an organization listed by a nationally recognized testing laboratory for the servicing of systems within the scope of this code

PROOF OF CONTRACTOR CERTIFICATION



ALPINE FIRE PROTECTION DISTRICT

FIRE PREVENTION POLICY MANUAL

[Signature]
FIRE CHIEF APPROVAL

3-31-2014

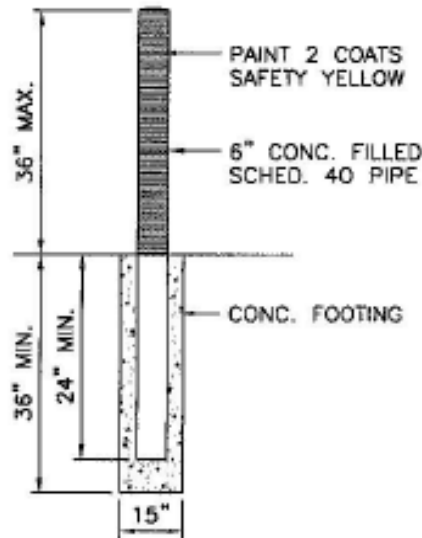
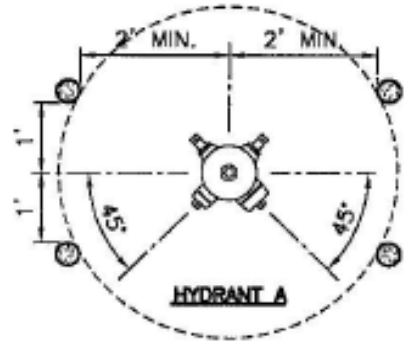
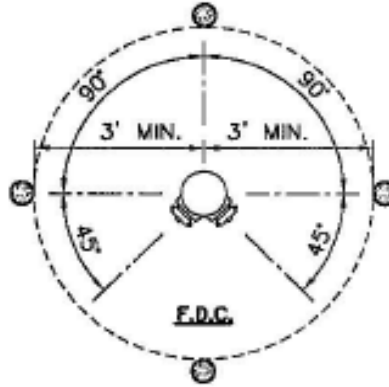
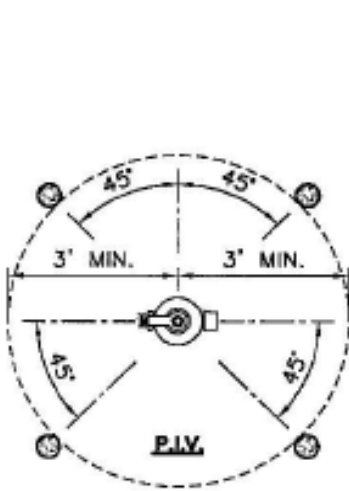
EFFECTIVE DATE

REVISED

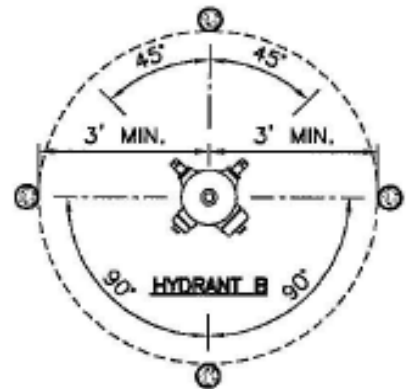
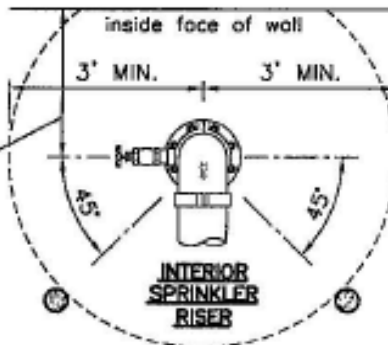
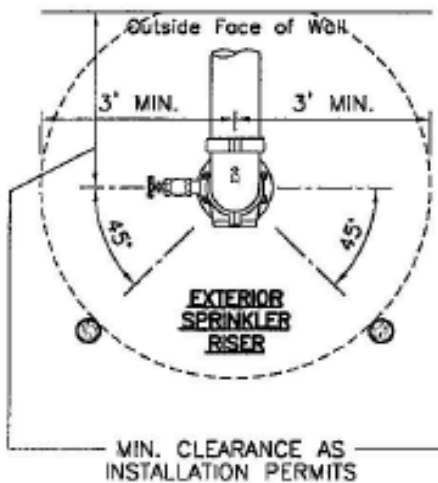
09/2013

STANDARD

13-312



BOLLARD



PROTECTION BOLLARDS & CLEAR DISTANCES



ALPINE FIRE PROTECTION DISTRICT

FIRE PREVENTION POLICY MANUAL

REVISED

01/14

[Signature]

FIRE CHIEF APPROVAL

3-31-2014

EFFECTIVE DATE

STANDARD

307.4.2

RECREATIONAL FIRES

The following diagrams will show the following types of recreational fires that are permissible in the Alpine Fire District.

Recreational Fire: An outdoor fire burning materials other than rubbish where the fuel being burned is not contained in an incinerator, outdoor fireplace, portable outdoor fireplace, barbeque grill or barbeque pit and has a total fuel area of 3 feet (914 mm) or less in diameter and 2 feet (610mm) or less in height for pleasure, religious, ceremonial, cooking, warmth or similar purposes.

** **ALL RECREATIONAL FIRES SHALL BE REPORTED TO HEARTLAND DISPATCH CENTER BEFORE YOU START AND AFTER YOU'RE FINISHED. THE TELEPHONE NUMBER IS: 619 441-1621.** You will give the dispatcher your name, address and phone number and what type of recreational fire you intend to have.

1. Campfire - created by clearing down to bare soil a circle with fire wood in the middle. The circle should have at least 10 feet of soil around the fire wood and at least 25 feet away from any tree roots or other combustible material, (bush, dead undergrowth, structures). No brush may be burned in a recreational fire pit. Obtain a burn permit to burn brush.
2. Built in campfire ring - created by clearing a 25 foot area all around the concrete fire pit. The pit should be lined with stone along the bottom and can extend up on the ground. No brush may be burned in the pit.
3. Above ground open fire pit - You can buy these containers at garden stores. They require a clearance of 25 feet from combustibles. Place container on stone or bare soil. No brush may be burned in these containers.
4. Above ground enclosed fire pit - These can also be purchased at garden stores. You need 10 feet of clearance from combustibles. Place container on stone or bare soil. No brush may be burned in the enclosed container.
5. Chiminea - These fireplaces have a smoke stack which requires a spark arrester, which can be made of 1/8 - 1/4" wire mesh. A 10 foot clearance from combustibles is required. Recommended placement is a stone patio. No brush may be burned in these fireplaces.
6. Gas above or below ground fire pit - These are usually constructed by the homeowner, but can be purchased at specialty stores. A 10 foot clearance is required. No brush may be burned in this type of fire pit.

(Recreational fire photos are available in front office)

RECREATIONAL FIRES



ALPINE FIRE PROTECTION DISTRICT

FIRE PREVENTION POLICY MANUAL

REVISED

1-2014


FIRE CHIEF APPROVAL

3-31-2014

EFFECTIVE DATE

STANDARD

308

Residential Barbecues

The use of residential barbecues shall be in accordance with the Alpine Fire Protection District Policy:

Open-Flame Cooking Devices: Charcoal burners and other open-flame cooking devices shall not be operated on combustible balconies or within 10 feet (3048 mm) of combustible construction.

Exceptions:

- 1) One-and two-family dwellings.
- 2) Where buildings and decks are protected by an automatic sprinkler system

- Open flame cooking devices includes those using charcoal, propane, natural gas, and wood and also includes Hibachis.
- Combustible: Any portion of balconies or patios made of combustible materials such as wood walls, ceilings, railings, and floors. This will also include storage of combustible materials on balconies or patios such as fabrics, wood, plastics, paper, trash, and cardboard. Stucco over wood framing is combustible construction.
- R-1 & R-2 Occupancies: Includes apartment houses, hotels and motels, boarding houses, dormitories, fraternities and sororities. This DOES NOT include residential single family dwellings (homes) and duplexes and condominiums that do not contain more than two dwelling units.

Storage of Portable LP-Gas Containers: Propane tanks SHALL NOT be stored on balconies. NFPA 58 2014 edition Section 8.3.5 states: Storage within a residential building shall be limited to cylinders each with a maximum water capacity of 2.7 LB (1.2 kg) and shall not exceed 5.4 LB (2.4 kg) aggregate water capacity for smaller cylinders per each living space unit.

Cylinders shall meet DOT specifications. Barbecue propane cylinders of 4.7 gallons (20 LB) SHALL NOT be stored within dwelling units.

OPEN FLAME COOKING DEVICES



ALPINE FIRE PROTECTION DISTRICT

FIRE PREVENTION POLICY MANUAL

REVISED

10/2013

[Signature]
FIRE CHIEF APPROVAL

3-31-2014

EFFECTIVE DATE

STANDARD

13D-13

RESIDENTIAL FIRE SPRINKLER SYSTEMS NFPA 13 D

SECTION 903.2 Where required An automatic fire sprinkler system installed in accordance with section 903.3 shall be provided throughout all new: dwellings, attached garages, carports, workshops, storage rooms, auxiliary use rooms and other similar structures.

Exceptions:

1. A Group U occupancy not greater than 500 sq. ft. when the building is more than 20 feet from an adjacent structure or property line.
2. An accessory building or barn not greater than 1000 sq. ft. which is not considered an enclosed building or structure and is of ignition-resistant construction, or which is determined by the fire code official not to present a significant fire hazard.
3. An agricultural building constructed of wood or metal frames over which fabric or similar material is stretched which is used as a green house unless it is connected to another structure.
4. A remodel when the scope of work does not include additional square footage or significant modification to the interior or roof of the existing portions of the structure or when the cost of installing an automatic fire sprinkler system in the existing portion of the structure is greater than 15% of the construction costs of the remodel. The fire code official may require other protective measures be taken based on existing conditions or potential hazards.

REQUIREMENTS Residential sprinkler systems shall follow the most current edition of NFPA 13 D.

HYDRAULIC CALCULATIONS:

0 – 6,999 Sq. ft.	2 Head Calculation
7,000 – 9,999 Sq. ft.	2 Head Calculation
Over 10,000 Sq. ft.	2 Head Calculation
Beams	No greater than 8” in depth. Over 8” – heads shall be placed in the pockets of each bay.

** All totals shall include garages

RESIDENTIAL SPRINKLER REQUIREMENTS



ALPINE FIRE PROTECTION DISTRICT

FIRE PREVENTION POLICY MANUAL

REVISED

10/2013

[Signature]
FIRE CHIEF APPROVAL

3-31-2014

EFFECTIVE DATE

STANDARD

13D-13

ADDITIONAL AREAS OF COVERAGE

ATTIC: Coverage shall be required in attic spaces whenever access is provided by an opening sufficient to provide access to above, and for stored goods. When the floor surface of the attic area has been prepared with materials sufficient for storage, coverage shall be required.

HEATING, VENTILATING, AIR CONDITIONING (HVAC) EQUIPMENT: Coverage by at least one sprinkler head is required whenever the HVAC equipment is located in an overhead space, under floor area or other enclosed space. Extra heads may be required based on duct and vent configurations.

UNDER STAIRWAYS: Coverage is required when access has been provided to the area beneath stairways.

BATHROOMS: Sprinklers are not required in bathrooms where the area does not exceed 55 sq. ft. unless there is a door exiting directly to the outside, and the walls and ceilings including behind fixtures are of noncombustible or limited combustible materials providing a fifteen-minute thermal barrier. Jack-and-Jill bathrooms (pass through) will require a head.

CLOSETS: Sprinklers are not required in clothes closets, linen closets, and pantries within the dwelling units where the area of the space does not exceed 24 sq. ft. and the least dimension does not exceed 3 ft. and the walls and ceilings are surfaced with noncombustible or limited combustible materials as defined by NFPA 220, standard on Types of Building Construction, unless the closet contains mechanical or electric equipment / panels.

ELECTRICAL ROOMS: Coverage by a fire sprinkler head is required when the electrical meter or distribution equipment is located in an enclosed space.

UTILITY ROOMS: Coverage is required for all attached utility rooms.

ATTACHED GARAGE: Coverage is required

SAUNAS, WINE ROOMS, ETC. : Coverage is required

RISERS: No shut off valves shall be allowed beyond the water meter. Shut off valve will shut domestic as well as fire sprinkler riser.

No other system such as domestic, irrigation, etc. shall be supplied by the fire sprinkler system riser.

GUEST HOUSE, POOL HOUSE, CABANA, ETC. : A separate riser and bell system is required for each of these buildings.

RESIDENTIAL SPRINKLER REQUIREMENTS



ALPINE FIRE PROTECTION DISTRICT

FIRE PREVENTION POLICY MANUAL

REVISED

10/2013

STANDARD


FIRE CHIEF APPROVAL

3-31-2014

EFFECTIVE DATE

13D-13

DETACHED GARAGE: A separate riser and bell system is required for this type of building. It shall have the coverage and density requirements as though it were attached to a home. If garage has exposed piping with no drywall on ceiling, copper or steel piping shall be used.

PIPING: Minimum dimension piping – A minimum of ¾” pipe is required for all systems utilizing CPVC piping.

All glues and adhesives shall be compatible with the pipe manufacturer’s requirements.

HYDROSTATIC TEST: All pipe installations shall be hydrostatically tested before drywall installation at 200 psi for 2 hours.

WATER SUPPLY: Meter: The meter supplying the system must be capable of providing sufficient flow for the designed flow of the fire system and all other demands attached. This would include domestic and irrigation use. Contact the individual water provider to become aware of specific requirements they may have.

In common water supply connections, 5 g.p.m. shall be added for domestic water.

WATER STORAGE TANKS: A minimum of 5,000 gallon water storage tank shall be installed up to 1500 sq. ft. of dwelling unit. Over 1500 sq. ft. will require 10,000 gallons. (see handout)

RESIDENTIAL SPRINKLER REQUIREMENTS



ALPINE FIRE PROTECTION DISTRICT

FIRE PREVENTION POLICY MANUAL

REVISED

01/14

FIRE CHIEF APPROVAL

3-31-2014

EFFECTIVE DATE

STANDARD

503.6

GATE ENTRANCES

No person shall install a security gate or security device across a fire access roadway without the fire code official's approval. All gates providing access from a road to a driveway shall be located a minimum of 30 feet from the nearest edge of the roadway if possible. Minimum road widths shall apply (ie) driveways shall be 16' paved and gate entrances shall be at least two feet wider than the width of the traffic lane serving the gate.

An automatic gate across a fire access roadway or driveway shall be equipped with an approved emergency key-operated switch overriding all command functions and opening the gate.

A gate accessing more than four residences or residential lots or a gate accessing hazardous institutional, educational or assembly occupancy group structure, shall also be equipped with an approved emergency traffic control-activating strobe light sensor or other device approved by the fire code official, which will activate the gate on the approach of emergency apparatus with a battery back-up or manual mechanical disconnect in case of power failure.

An automatic gate shall meet fire department policies deemed necessary by the fire code official for rapid, reliable access. An automatic gate serving more than one dwelling or residential lot in existence at the time of adoption of this chapter, (Chapter 503.6 , Ordinance 2013-01) is required to install an approved emergency key operated switch or other mechanism approved by the fire code official, at an approved location which overrides all command functions and opens the gate. A property owner shall comply with this requirement within 90 days of receiving written notice to comply.

SECURITY GATES



ALPINE FIRE PROTECTION DISTRICT

FIRE PREVENTION POLICY MANUAL

REVISED

01/14

STANDARD

[Signature]
FIRE CHIEF APPROVAL

3-31-2014

EFFECTIVE DATE

SOG

SIGNS AND PLACARDS

New and existing buildings shall have signs to identify items if importance to firefighters.

The Alpine Fire Protection District shall define the designations to be placed within the sign. Fire departments shall conduct annual inspections to verify compliance with signage and the owner of a building shall be responsible for the maintenance and updates to the signs.

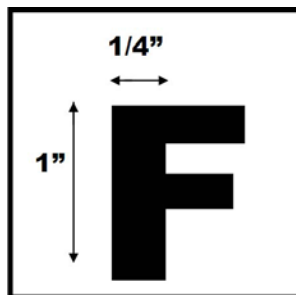
Basic signage consists of but not limited to:

Doors to all electrical rooms, alarm control panel rooms, fire protection and utility equipment rooms, storage of any hazardous material or fire equipment shall be labeled or placarded.

Different signs shall be in accordance with the latest California Fire Code regulations and placed as recommended.



CONTRASTING BACK GROUND: RED OR BLACK LETTERS ON WHITE VINYL, ALUMINUM OR RIGID PLASTIC



SIGNS AND PLACARDS



ALPINE FIRE PROTECTION DISTRICT

FIRE PREVENTION POLICY MANUAL

REVISED

2013

STANDARD

[Signature]
FIRE CHIEF APPROVAL

3-31-2014
EFFECTIVE DATE

F-13-01

PURPOSE:

To establish consistent guidelines for the safe operation of smoking lounges, this may include Hookah cafes or lounges.

AUTHORITY:

2013 California Fire Code with the use of reference sections 305.2, 308.3.2, 310.6 and 310.7 from the CFC and the 2013 California Mechanical Code.

REQUIREMENTS:

1. Adequate ventilation is required when heating coals. A mechanical exhaust hood system shall be installed to provide adequate ventilation.
2. The mechanical exhaust hood fans shall be running at all times while coals are being prepared.
3. Whenever hot coals are removed from the preparation area, they shall be placed in a ceramic, metal or other non-combustible container. Open mesh containers shall not be used.
4. Coal containers shall not be placed on combustible materials, such as tablecloths or furniture. All devices used to transfer coals from the preparation area to the hookah pipe shall be of non-combustible materials.
5. Hookah pipes shall be securely fastened in place to prevent overturning. An approved clasp or hook may be used to secure the pipe to the table or other stationary object. A shield or other approved device shall be applied to the top of the pipe to prevent accidental contact of patrons to exposed coals.
6. Used coals shall not be discarded in a manner that could cause ignition of combustible materials. Used coals shall be removed and placed into a sealed metal or ceramic container with a lid (no openings other than the lid). The container shall be labeled "Hot Coals Only." The container shall not be placed within ten feet of combustible materials, such as combustible storage, walls and partitions, on combustible floors or within two feet of building openings. Hot ashes shall be thoroughly cooled (at least 24 hours) before being discarded.
7. The occupant load of a business shall be determined by the Alpine Fire Protection District. If the occupant load is 50 or more, all requirements of an assembly occupancy shall be met. Assembly occupancies requirements include multiple exits, illuminated exit signs, panic hardware, and flame retardant treated decorative materials. These materials include curtains, tablecloths and all materials hung from ceilings and/or walls. Flame retardant application services and certifications must be obtained from a California State Fire Marshal licensed company.
8. Minimum 2A-10BC fire extinguishers shall be installed in approved locations with one being installed adjacent to the coal preparation area.

Smoking Bars, Hookah Lounges



ALPINE FIRE PROTECTION DISTRICT

FIRE PREVENTION POLICY MANUAL

[Signature]

FIRE CHIEF APPROVAL

3-31-2014

EFFECTIVE DATE

REVISED
7-19-2016
STANDARD
TITLE 3
SDC

SALES & USE OF SNAP CAPS, PARTY POPPERS, FIREWORKS, SPARKLERS.

CHAPTER 1. FIREWORKS SEC. 32.101. PURPOSE. California Health and Safety Code sections 12500 et seq. regulate fireworks and pyrotechnic devices and authorize local jurisdictions to require permits for the manufacture, possession, sale or discharge of fireworks. This chapter establishes fireworks regulations for the unincorporated area of the County in addition to those Page 11 of 69 Attachment B - Ordinance amending Title 3 regulations contained in the County Fire Code and 19 California Code of Regulations, Chapter 6. SEC. 32.102. COUNTY SHERIFF IS THE ISSUING OFFICER. The County Sheriff shall be the issuing officer for any permit required by this chapter. SEC. 32.103. DEFINITIONS. The following definitions shall apply to this chapter: (a) "Fireworks" has the same meaning as the term "fireworks" in Health and Safety Code section 12511. The term "fireworks" includes, but is not limited to, devices designated by the manufacturer as fireworks, blank cartridges, toy pistols, toy cannons, toy canes or toy guns in which explosives are used, firecrackers, torpedoes, sky-rockets, Roman candles, rockets, daygo bombs, sparklers, snap caps, party poppers, paper caps, chasers, fountains, smoke sparks, aerial bombs and fireworks kits. "Fireworks" does not include auto flares, paper caps that do not contain in excess of an average of twenty-five hundredths of a grain of explosive content per cap and toy pistols, toy canes, toy guns or other devices for use of these caps. (b) "Fireworks kit" has the same meaning as the term "fireworks kit" in Health and Safety Code section 12512 and means any assembly of materials or explosive substances, which is designed and intended by the seller to be assembled by the person receiving the material or explosive substance and when assembled, comes within the definition of "fireworks," above. (c) "Sell" means to sell, offer to sell, solicit the sale of, take orders for, give away, offer to give away, distribute or deliver. SEC. 32.104. PERMITS REQUIRED FOR MANUFACTURE, POSSESSION, SALE AND DISCHARGE OF FIREWORKS. (a) It shall be unlawful for any person to manufacture, possess, sell or distribute fireworks in the unincorporated area of the County without a permit issued by the Sheriff. (b) An application for a permit to manufacture, possess, or sell fireworks shall be submitted on a form provided by the Sheriff and accompanied by the fee required in section 21.1901. The permit shall expire one year from the date it is issued and may be renewable. (c) A person to whom a permit has been issued under this chapter may apply for a public display permit by submitting an application to the Sheriff at least 30 days before Page 12 of 69 Attachment B - Ordinance amending Title 3 the event for which a permit is requested. No person shall be granted a public display permit unless the display will be handled by or under the supervision of a State licensed pyrotechnic operator. A public display permit shall only be valid for a single event. SEC. 32.105. LIABILITY INSURANCE FOR FIREWORKS DISPLAY REQUIRED. No public display permit may be granted unless the applicant provides a certificate of public liability insurance that meets the minimum requirements of the State Fire Marshall under Health and Safety Code section 12610 and California Code of Regulations section 19.993. The certificate shall name the County of San Diego as an additional insured for damages claimed for personal injury or damage to any property, which arise from or are caused by any fireworks display. The County may require additional amounts of insurance as it deems necessary based upon the circumstances. SEC. 32.106. DISPOSAL OF UNUSED FIREWORKS. A person to whom the Sheriff issues a fireworks display permit under this chapter shall immediately and safely dispose of fireworks that remain unused after a public fireworks display. Fireworks shall be disposed of in compliance with all federal, State and County laws and regulations. SEC. 32.107. EXCEPTIONS. No permit shall be required under this chapter for: (a) A railroad or other transportation agency regulated by the United States, the State of California or a local public entity using fireworks for signaling or for illumination. (b) The sale or use of blank cartridges for theatrical purposes or for signaling or ceremonial purposes at an athletics event. (c) Use by the United States Armed Forces. SEC. 32.108. SEIZURE OF ILLEGAL FIREWORKS. The Sheriff shall seize, take, remove or cause to be removed at the expense of the owner, all fireworks being manufactured, offered for sale, possessed or being discharged in violation of this chapter.

SNAP CAPS, SPARKLERS, POPPERS



ALPINE FIRE PROTECTION DISTRICT

FIRE PREVENTION POLICY MANUAL

REVISED

2/24/14

STANDARD

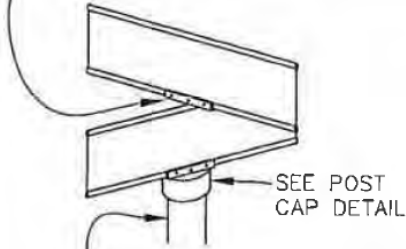
h.z. Pl
FIRE CHIEF APPROVAL

3-31-2014

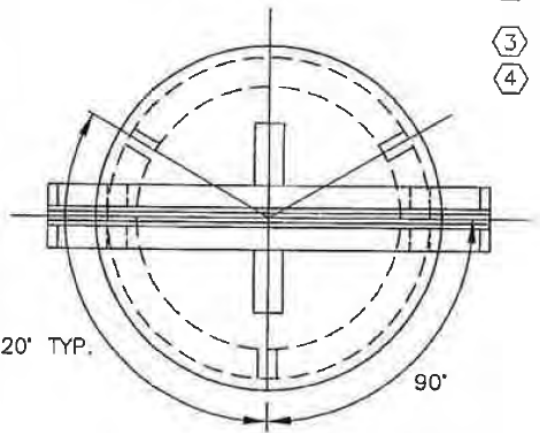
EFFECTIVE DATE

DS-13

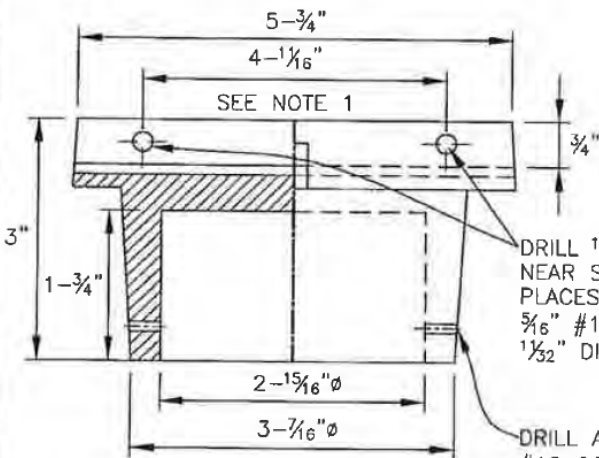
SIGN TO SIGN BRACKET DIMENSION TO BE COMPATIBLE WITH POST CAP



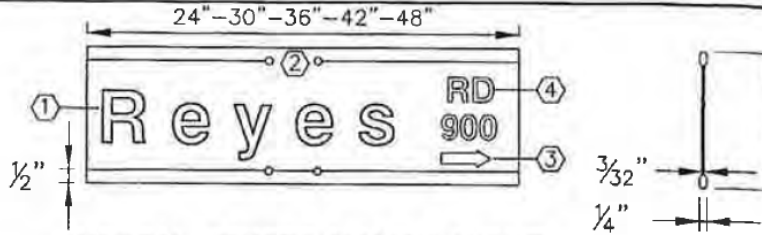
10' X 2-7/8" Ø O.D. ALUMINUM ALLOY 6063 T6, CLEAR ANODIZED POLE.



POST CAP DETAIL
NO SCALE



DRILL AND TAP FOR 5/16" #18 CONE POINTED SCREW (3 PLACES)

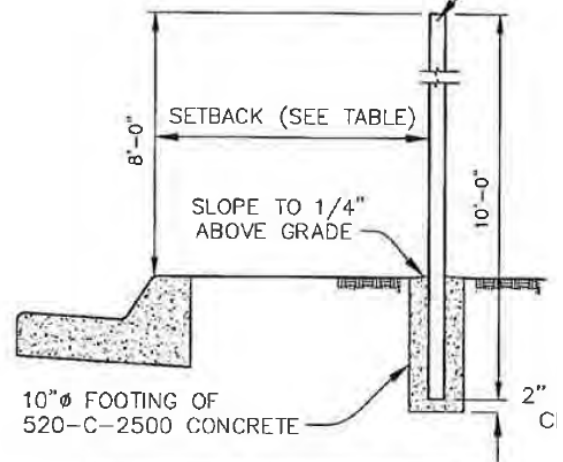


TYPICAL STREET NAME LAYOUT
NO SCALE

TYPICAL LAYOUT OF LEGEND AND BORDER ON VARIABLE LENGTH SIGN BLA OF EXTRUDED ALUMINUM WITH REVERSE SCREENED REFLECTIVE SHEETING ENGINEERING GRADE. WHITE LETTERS & BORDER ON GREEN BACKGROUND.

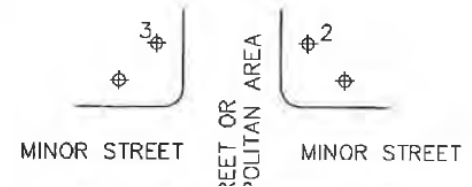
- ① 5" UPPERCASE AND 3-3/4" LOWERCASE LETTERING.
- ② TWO 11/32" HOLES 4-1/16" APART CENTERED ON TOP AND BOTTOM EDGE OF BLADE TO MATCH HOLES IN SIGN BRACKET ASSEMBLIES.
- ③ 2" X 2-3/4" ARROW.
- ④ 2" UPPERCASE LETTERING.

DRILL HOLE TO SECURE CAP TO POST WITH SCREW OR RIVET



C & SW	SW	SETBACK
CONTIGUOUS	< or = 6'	SW WIDTH
CONTIGUOUS	> 6'	2'-0"
SEPARATE	---	2'-0"

CURB (C), SIDEWALK (SW), DIAMETER (Ø)



STREET SIGN STANDARD



ALPINE FIRE PROTECTION DISTRICT

FIRE PREVENTION POLICY MANUAL

REVISED

01/14

[Signature]

 FIRE CHIEF APPROVAL

3-31-2014

 EFFECTIVE DATE

STANDARD

13

Purpose: This chart is provided as a guideline for the additions, improvements and changes to existing overhead fire sprinkler systems. To clarify when you must submit plans for our review and what tests and inspections would be required for our final approval and acceptance.

Below is a matrix chart to assist you, the contractor or property owner/manager in determining the requirements of the Alpine Fire Protection District. Some of these requirements are based upon our experience with these types of projects and may not necessarily follow or be found in any recognized standards or code manual. Other items may be found in recognized standards manuals such as those published by the National Fire Protection Association or NFPA 13 2013 addition.

Scope: This guideline is applicable to all new and existing commercial fire sprinkler systems required by code or local ordinance within the Alpine Fire District. It shall also apply to any other commercial sprinkler system being installed to mitigate a code deficiency. Tenant or space improvement projects shall also conform to this guideline. When otherwise required, all fire sprinkler plans shall be submitted for review and approval prior to commencement of any work on the system.

Scope of Work	Plan Submitted	Hydraulic Calculations	Overhead Rough Inspection	Overhead Hydrostatic Test	Final Inspection
1-6 sprinkler heads added / relocated			X		X
7-19 sprinkler heads added / relocated	X		X		X
20 or more sprinkler heads	X	X Proof of Calc's	X	X @ 200 PSI	X
Addition of 10 or more feet of pipe	X	X Proof of Calc's	X	X @ 200 PSI	X
Addition of 20 or more Feet of pipe	X	X Proof of Calc's	X	X @ 200 PSI	X
Modification or replacement of system risers, mains, branch lines or other equipment such as pumps	X	X	X	X ≥ 200 PSI	X

TENANT IMPROVEMENTS TO AUTOMATIC FIRE SPRINKLER SYSTEMS



ALPINE FIRE PROTECTION DISTRICT

FIRE PREVENTION POLICY MANUAL

REVISED

01/14

STANDARD


FIRE CHIEF APPROVAL

3-31-2014

EFFECTIVE DATE

13

When required by the above conditions, a hydrostatic test of two hundred (200) PSI, for two (2) hours or as indicated shall be conducted and witnessed by the Fire Department. The sprinkler piping or components shall be installed in such a manner that there will be no visible leakage when the system is subjected to the hydrostatic test.

Existing automatic fire sprinkler systems that have been modified with the addition or replacement of system risers, mains, branch lines and other equipment such as fire pumps and similar equipment shall be hydrostatically tested with water, not air, at 200 PSI for a 2-hour test period. No loss of pressure or water leakage is permitted in the system.

If the new alterations, modifications, or additions, or additions are to be isolated from the existing system during the hydrostatic test, the point of connection to the existing system must be subjected to the hydrostatic test pressure. This can be accomplished by cutting and capping each individual line where the improvement is being performed, then tie back into the other suites. You can isolate these lines in the design process.

In many cases, separating new work from existing work is difficult. The Technical Committee on Sprinkler Systems Installation Criteria believes that to require the entire system to undergo another hydrostatic test when only relatively minor changes are made is unreasonable. When new portions of a system cannot be isolated, such as relocated drops, NFPA 13 provides some flexibility and permits hydrostatic tests to be conducted at the system's normal static pressure. In general, existing portions of the system do not need to be subjected to a new hydrostatic test.

A final inspection of the alterations, modifications or additions is required. The hydrostatic test and final inspection may be conducted at the same time, so long as all work is complete and visible.

The requirements listed above are minimum requirements of the Alpine Fire Protection District and any requests for use of alternate methods or exemption from requirements require approval of the Fire Marshal prior to the test or inspection date.

Alpine Fire Protection District shall witness the 2-hour inspection test. The fire inspector may ask the job superintendent to witness the pressure test when it commences and has achieved the required pressure. After the 2-hour duration, a member of the Fire Prevention Division shall inspect and determine the acceptability of the test.

All applicable test and/or inspection fees shall be paid a minimum of twenty-four (24) hours prior to the desired date of the test.

Contact the Alpine Fire Protection District at (619) 445-2635 to schedule tests a minimum of twenty-four (24) hours prior to the desired test date.

TENANT IMPROVEMENTS TO AUTOMATIC FIRE SPRINKLER SYSTEMS



ALPINE FIRE PROTECTION DISTRICT

FIRE PREVENTION POLICY MANUAL

REVISED

1-2014

[Signature]

 FIRE CHIEF APPROVAL

3-31-2014

 EFFECTIVE DATE

STANDARD

F-Title 19

Alpine Fire Protection District has adopted the following policy for the witness testing of all Title 19 five year services for all wet automatic based fire systems in the Alpine District.

Procedures for Title 19 Five year Services:

1. Contact the AFPD 48 hours in advance to schedule the witness inspection. If testing is performed without having a witness of AFPD Fire Prevention office the test will not be recognized and retest shall be completed.
2. C 16 contractor shall have the fire system prepared for the arrival of AFPD inspector to witness the back flush of FDC and the internal inspection of any alarm valves.
3. AFPD inspector shall sign off that the witness of said test has been completed on the front page of the Automatic Extinguishing System Inspection report form AES 1 approved by the State Fire Marshal office.
4. A "dirty report" shall be presented to the AFPD within 7 days after the test for AFPD review and comments. This report shall provide description of all correctable items noted at time of service. AFPD reserves the right to waive or require additional requirements as per Health & Safety Code 13195.
5. AFPD inspector shall sign off on the repairs noted before any work shall take place between the owner of said business and contractor.
6. All repairs shall be completed within a timely manner. The intent is not to have correctable items be in violation for more than (30) days from the date of Title 19 five year service. Systems that are out of service or fire life safety hazards immanent to the threat of life or the threat to property shall be repaired immediately. Fire watch precautions shall be in place, if system shall not be restored immediately.
6. Once all repairs from the approved repairs list have been completed and customer is completely satisfied with repairs the Title 19 five year service label, will then be adhered to the system.
7. After Title 19 five year service label is placed on the system certifying compliance the local fire authority shall receive the "clean report" within 7 days of the placement of certification label.

DO NOT REMOVE BY ORDER OF THE STATE FIRE MARSHAL												
 LICENSE# <input type="checkbox"/> 5 YEAR <input type="checkbox"/> 3 YEAR <input type="checkbox"/> ANNUAL <input type="checkbox"/> NEW	OWNER IS RESPONSIBLE FOR MAINTAINING RECORDS						SPRINKLER					
	X _____ SIGNATURE COMPANY NAME ADDRESS PHONE NUMBER X _____ PRINT NAME						STANDPIPE					
							FIRE PUMP					
							WATER TANK					
							FOAM					
							WATER SPRAY					
							WATER MIST					
							PRIVATE FIRE SERVICE MAIN					
	JAN	FEB	MAR	APR	MAY	JUN	JUL	AUG	SEP	OCT	NOV	DEC
	2014	2015	2016	2017	2018	2019	2020	2021	2022	2023	2024	

Title 19 Five Service of Automatic Water Based Fire Extinguishing Systems



ALPINE FIRE PROTECTION DISTRICT

FIRE PREVENTION POLICY MANUAL

REVISED

10-13

STANDARD


FIRE CHIEF APPROVAL

3-31-2014

EFFECTIVE

503.4.1

TRAFFIC CALMING DEVICES

Traffic Calming Devices (speed bumps, speed humps, speed control dips, etc.) which may interfere with emergency apparatus responses shall not be installed on fire access roadways unless they meet design criteria and are approved by the Fire Chief.

Currently, Alpine Fire District does not have written criteria for speed bumps due to the tremendous impact on the suspension of the fire engines and the delayed response times of the ambulance. Therefore, speed bumps are not permitted.

Speed bumps are allowed however, in private parking lots due to the substantial foot traffic. County maintained roads that have speed bumps or humps have prior approval from the County of San Diego Road Design Features. Alpine Fire District does not have jurisdiction over County maintained roads.



TRAFFIC CALMING DEVICES



ALPINE FIRE PROTECTION DISTRICT

FIRE PREVENTION POLICY MANUAL

REVISED

01/14

STANDARD


FIRE CHIEF APPROVAL

3-31-2014

EFFECTIVE DATE

507.2.2

WATER STORAGE TANKS

Table No. 507.2.2A

Building Square Feet	Gallons Per Minute Water Flow	Capacity Gallons	Duration in Minutes
Up to 1,500	250	5,000	20
Over 1,500	250	10,000	40

When exposure distance is one hundred feet (100') or less from adjacent property an increase in water storage may be required by the Chief.

1. Tank elevation shall be equal to or higher than the fire department connection on the premises. Regardless of domestic use, all tanks shall be equipped with a device that will ensure that the tank contains the designated amount of water for fire flow duration as determined by the fire department. Tank size may be increased to serve multiple structures on a single parcel.
2. Supply outlet shall be at least 4 inches in diameter from the base of the tank to the point of outlet at the fire department connection. The fire department connection shall be at least one 4-inch National Standard Thread (male), reduce to one 2 ½ inch National Standard Thread (male) with 4" bronze gate valve or equal. Additional outlets may be required.
3. Location of fire department outlet to be determined on the plot plan when submitted to the fire department. Consideration will be given to topography, elevations, and distance from structures, driveway access, prevailing winds, etc. ** A 24" X 24" concrete pad shall be poured around fire department connection. Fire department connection shall be painted safety yellow or similar color.
4. The outlet shall be located along an access roadway and shall not be closer than 50 feet or further than 150 feet from the structure.
5. All exposed tank supply pipes shall be of an alloy or other material listed for above ground use. Adequate support shall be provided.
6. Water storage tanks shall be constructed from materials approved by the Fire Marshal and installed per manufacturer recommendations. *ie; Galvanized Steel or similar. NO RUBBER BASE OR PLASTIC TANKS* permitted unless (a) installed per manufacturer's instructions, (b) A 25 foot vegetation clearance shall be maintained around tank at all times.
7. The Chief may require any necessary information to be submitted on a plot plan for approval.
8. Vessels previously used for products other than water shall not be permitted.
9. The bottom of the water storage tank shall be level with or above the building pad

WATER STORAGE TANKS



ALPINE FIRE PROTECTION DISTRICT

FIRE PREVENTION POLICY MANUAL

REVISED

01/14

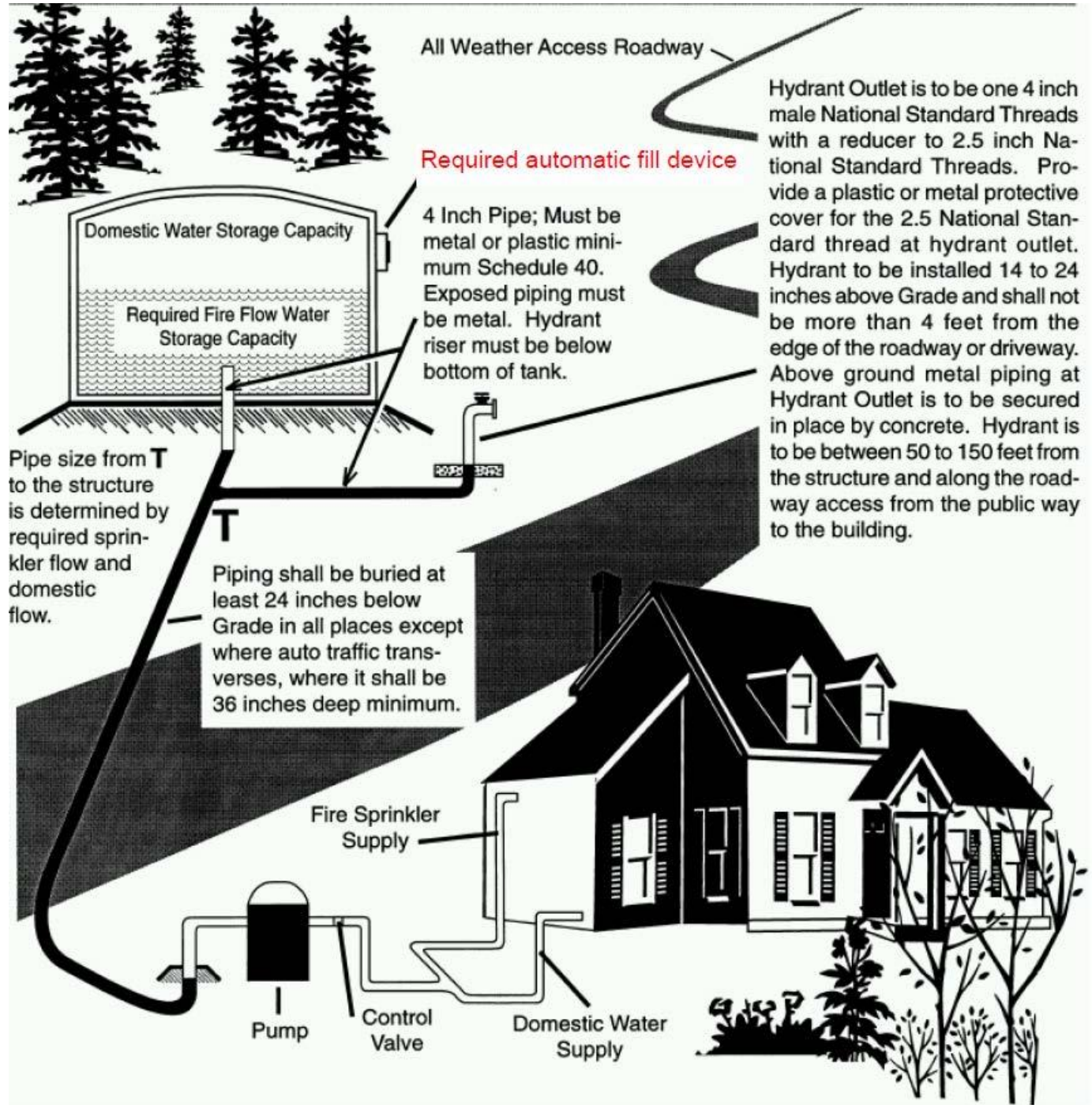
STANDARD

[Signature]
FIRE CHIEF APPROVAL

3-31-2014

EFFECTIVE DATE

507.2.2



WATER STORAGE TANK INSTALLATION DIAGRAM



ALPINE FIRE PROTECTION DISTRICT

FIRE PREVENTION POLICY MANUAL

REVISED

2/25/14

[Signature]
FIRE CHIEF APPROVAL

3-31-2014
EFFECTIVE DATE

STANDARD

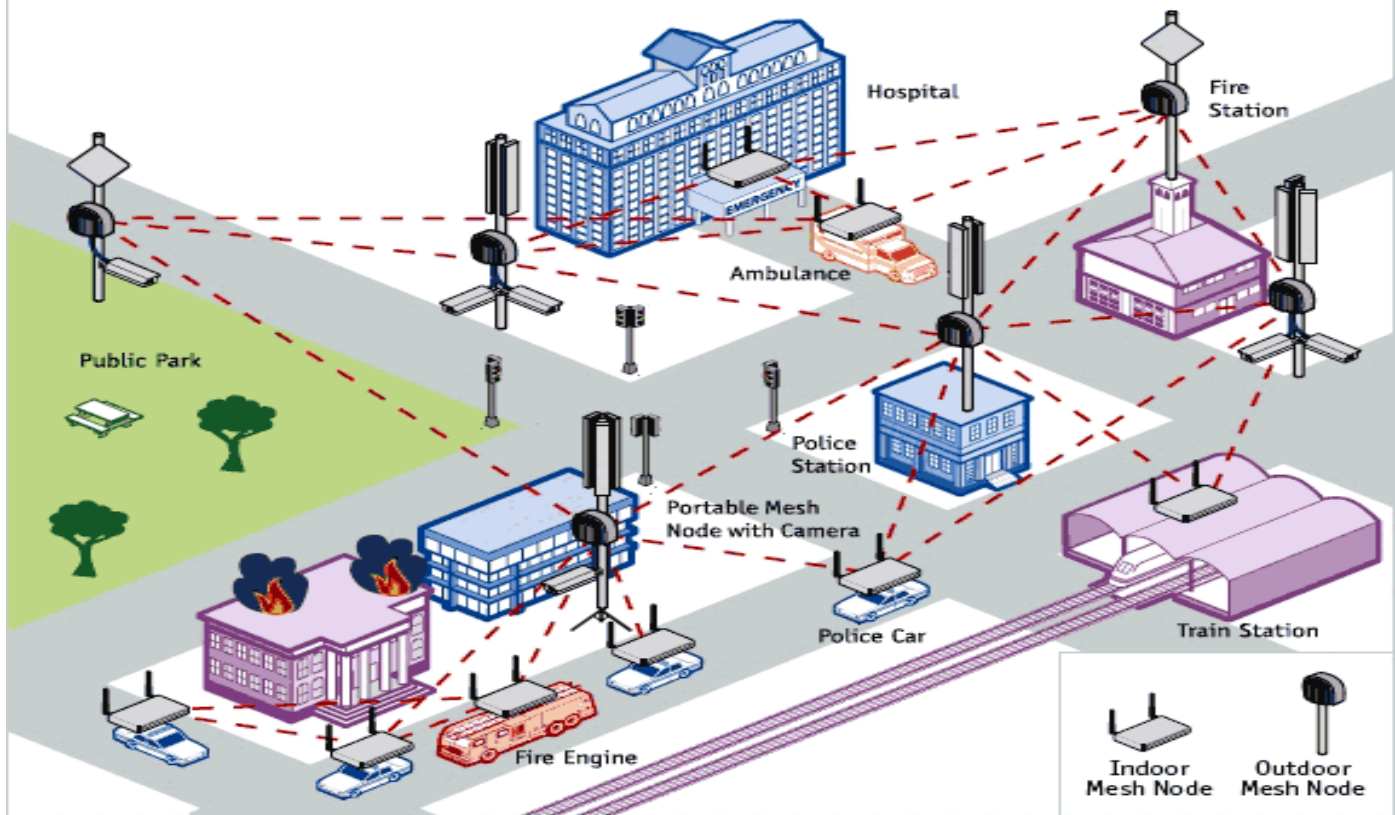
NFPA 72

CHANGES IN TECHNOLOGY TO NEW AND EXISTING FIRE ALARM SYSTEMS

Effective January 01, 2015, the Alpine Fire Protection will no longer accept the use of telephone lines as means of communication to transmit alarm signals from your alarm panel to the monitoring company.

In coming years the FCC will no longer support using telephone lines for transmitting alarm signals.

The upcoming approved means will be through wireless mesh networks. Therefore, everyone that has a digital communication system will be required to upgrade and install a current alternative transmission method. The FCC recommendation to discontinue the use of telephone lines is by 2018.



WIRELESS MESH NETWORK